

ALFRIL

MAQUINARIA AGRÍCOLA

DESBROZADORA DE BRAZO HIDRÁULICO

ABM

AGRIC BEMVIG^{SA}

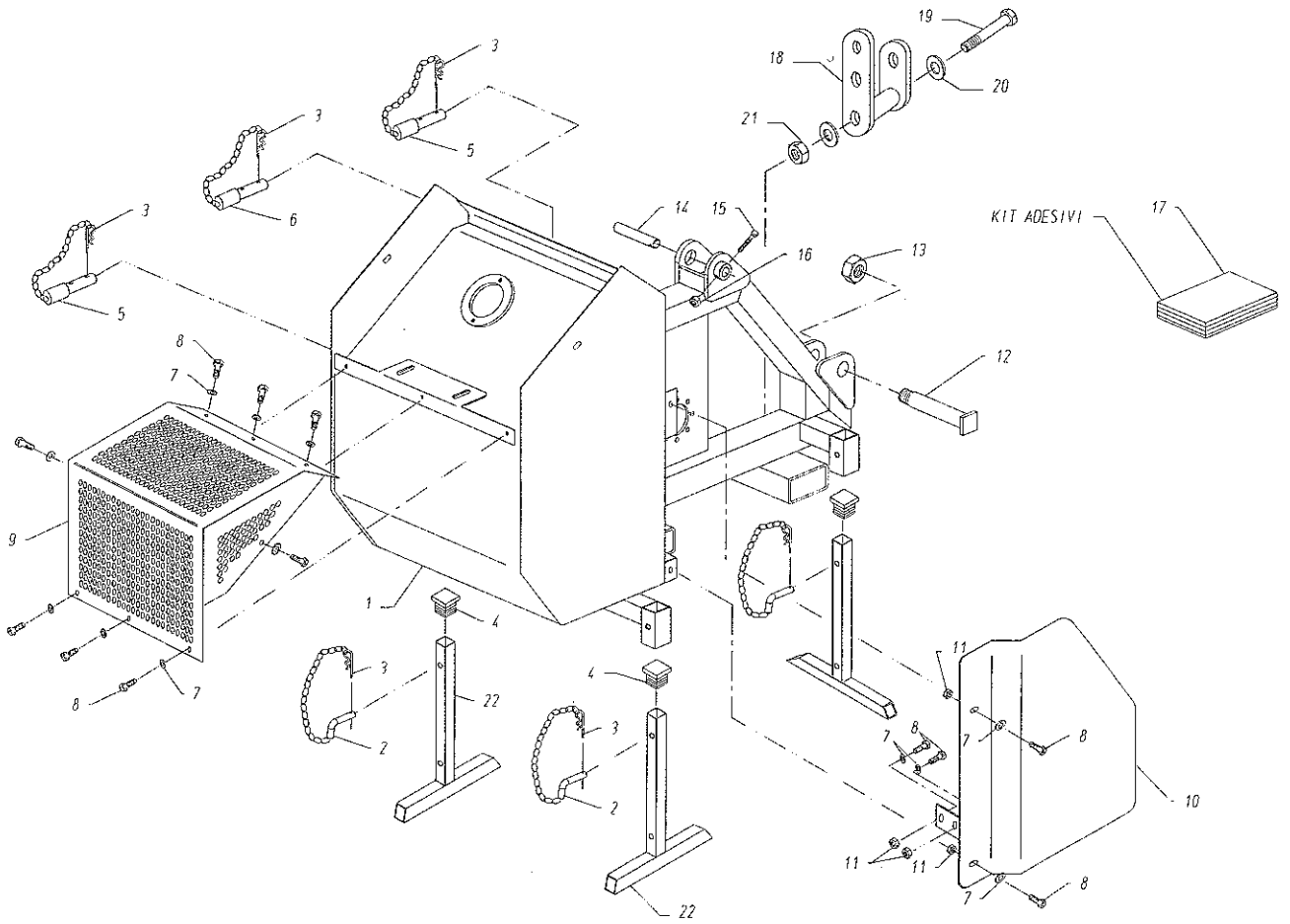
Carretera C-17, km.72,686
08508 MASIES DE VOLTREGÀ
BARCELONA-ESPAÑA

Tel: **+34 93 850 27 00**

Fax: + 34 93 857 08 93

E-mail: info@agricbemvig.com

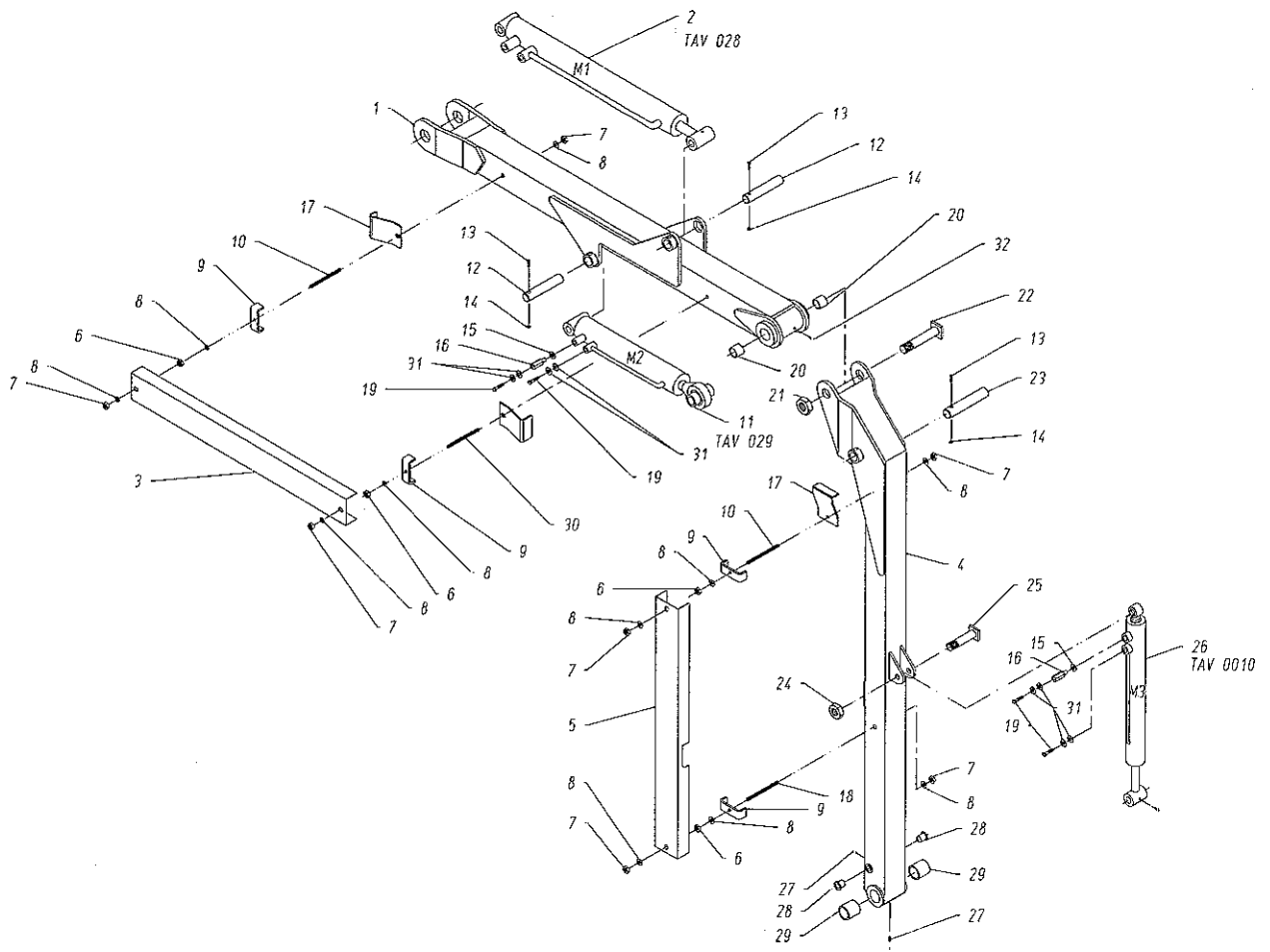
web: www.agricbemvig.com



TIPO. BASAMENTO ABM4200

TAU.0496 REV.000 AGG.12/07/2006

POS.	CODICE	NOTE	Q.TA.	POS.	CODICE	NOTE	Q.TA.
1	30027774		1				
2	30025576		3				
3	00020503		7				
4	00016584		3				
5	00020525		2				
6	00020525		1				
7	11080000		12				
8	11108071		12				
9	30027786		1				
10	30027770		1				
11	10125081		4				
12	30005070		1				
13	10114361		1				
14	30026923		1				
15	11106131		1				
16	10114061		1				
17	00021598		1				
18	30027787		1				
19	11027368		1				
20	11270800		2				
21	10134274		1				
22	30029210		3				



TIPO. GRUPPO BRACCI

TAV. 0369 REV. 000 AGG. 27/02/2004

POS.	CODICE	NOTE	Q.TA'	POS.	CODICE	NOTE	Q.TA'
1	3002783		1				
2	30003850		1				
3	30027803		1				
4	3002784		1				
5	30027804		1				
6	10125081		4				
7	10114081		7				
8	11080000		11				
9	30013000		4				
10	30026328		2				
11	30003840		2				
12	30026924		1				
13	11106131		2				
14	10114061		2				
15	00013012		3				
16	00014036		2				
17	30021600		2				
18	30026330		2				
19	00014091		1				
20	00025511		2				
21	10114361		2				
22	30005070		1				
23	30026925		1				
24	10256200		1				
25	30024793		1				
26	30001410		1				
27	00022501		2				
28	00025500		2				
29	00025509		2				
30	30026327		1				
31	11120000		8				
32	00022508		1				

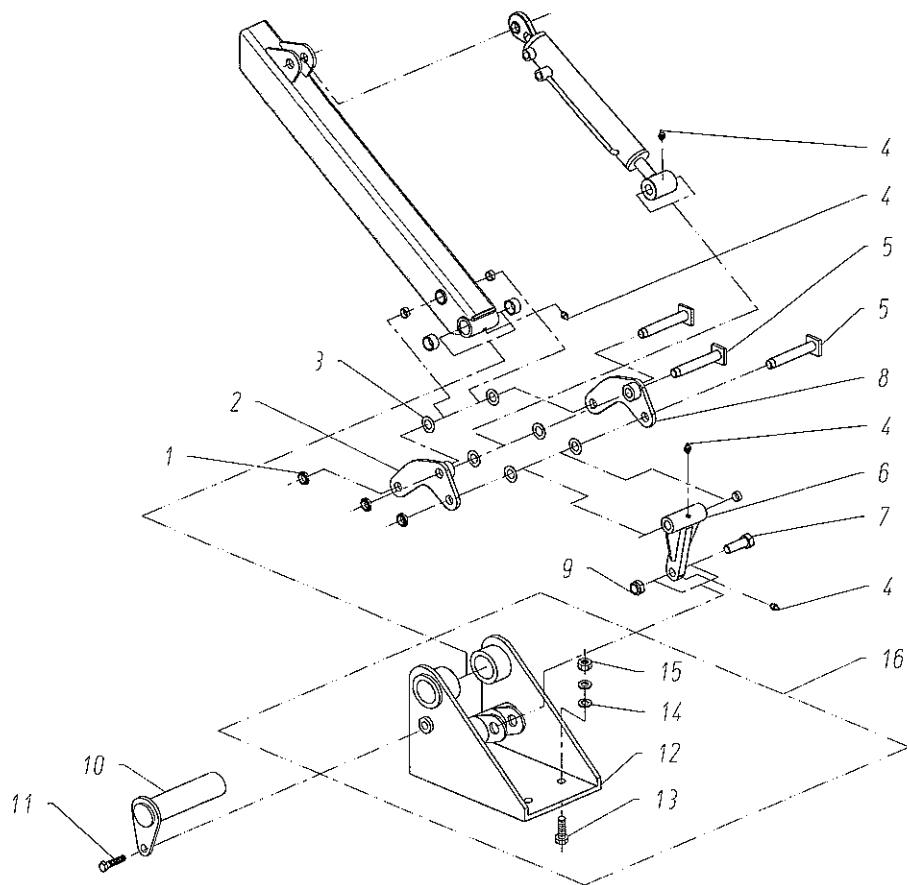
TIPO:GRUPPO BRACCI TAV. 0369 REV.000 AGG.27/02/2004 PAG. 1/1

PERRELLI
MACQUINARIA AGRICOLA

BEMVILS
INSTALACIONES GANADERAS

PERRELLI BEMVILS

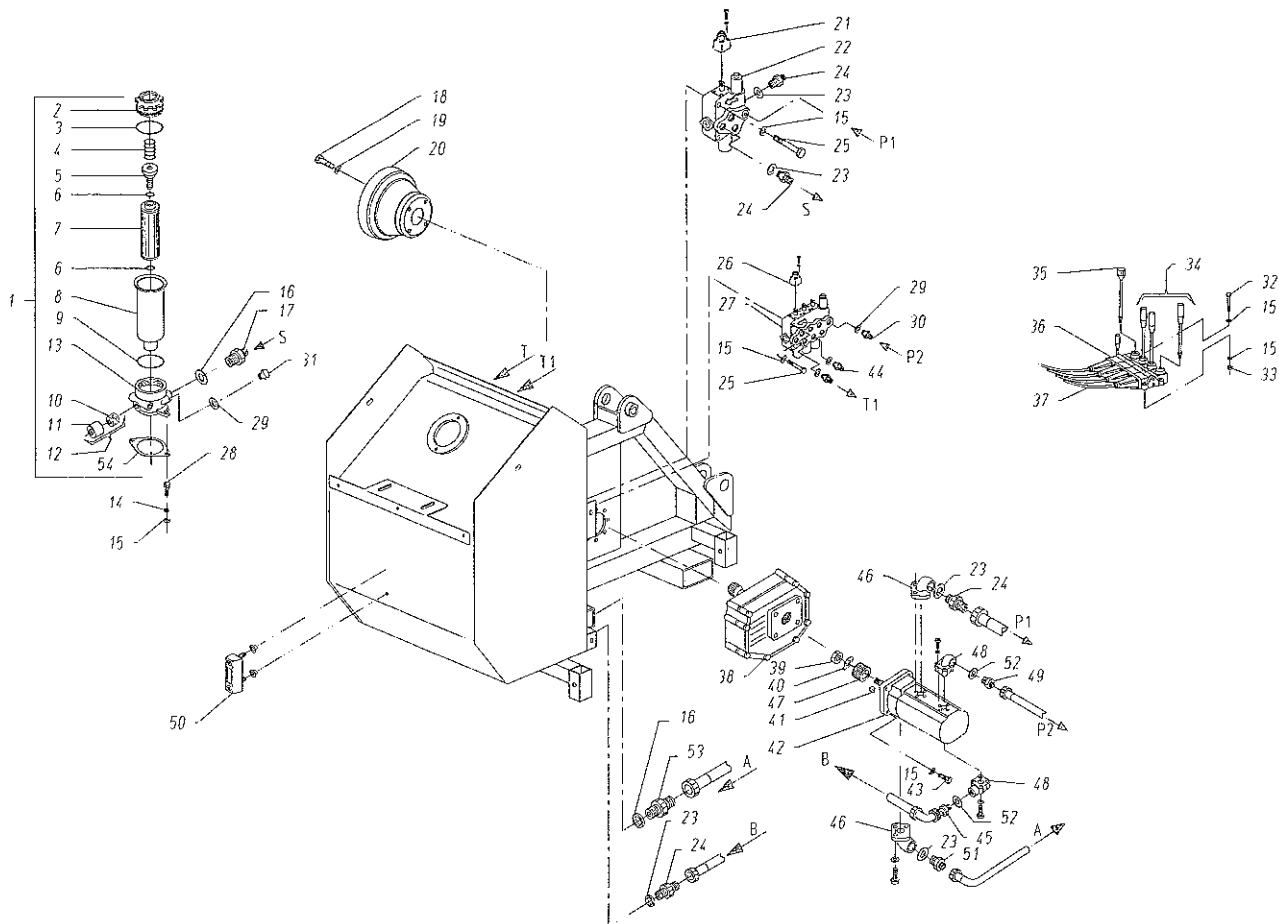
Commercial: (39) 03 559 27 00 - Fax: (39) 03 571 00 50 - comercial@perrelli.com - www.perrelli.com
C/Torre Zaire - 09800 LES MASIES DE VOLTREGA - Barcelona - España



TIPO. KIT PIASTRA ACCESSORI SERIE AGRI TAV. 0330 REV. 000 AGG. 24/10/02

TIPO:	TAV. 0330	REV. 000	AGG. 24/10/2002	PAG. 01/01
KIT PIASTRA ACCESSORI SERIE AGRI				

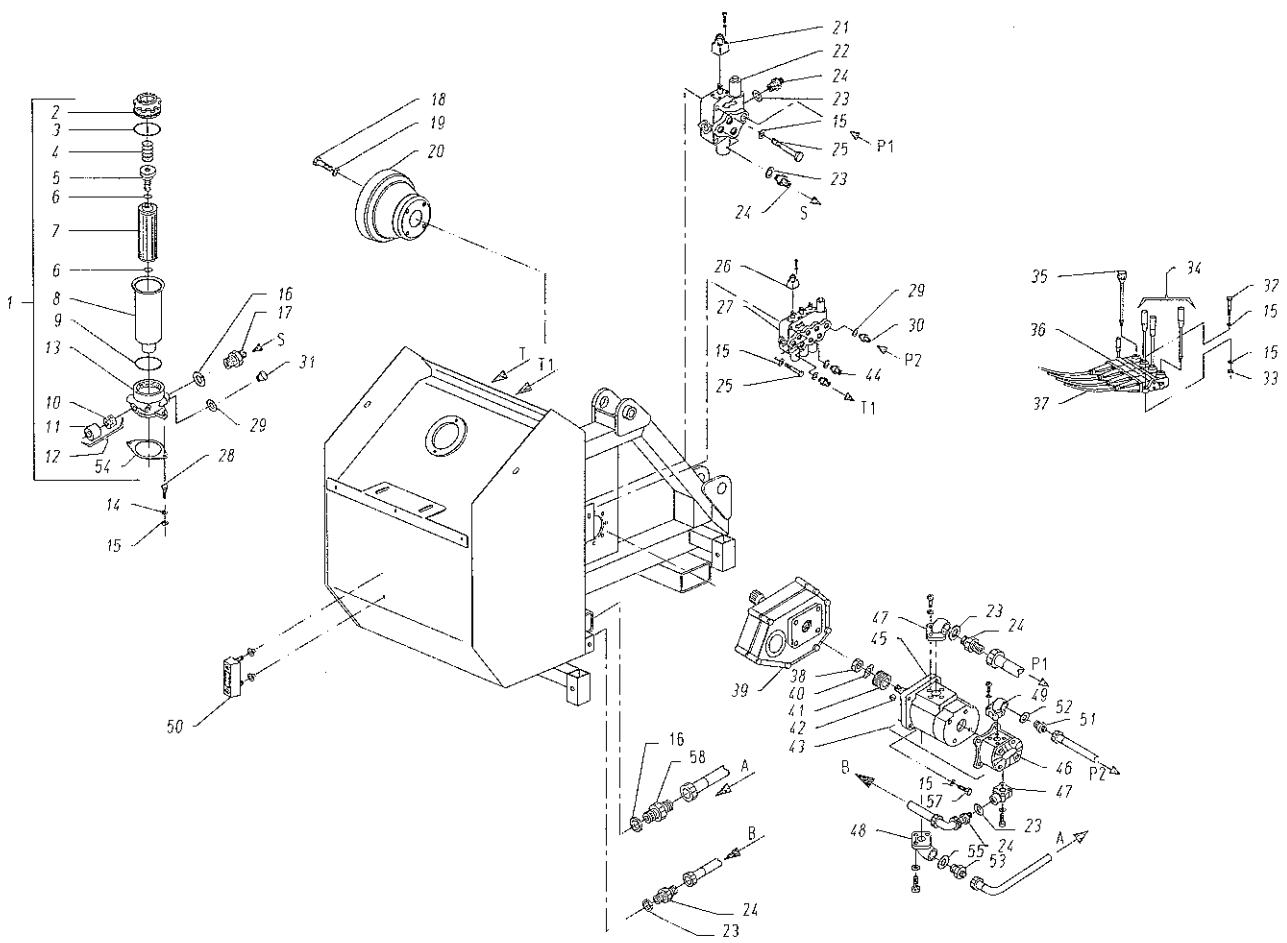
POS.	CODICE	NOTE	Q.TA'	POS.	CODICE	NOTE	Q.TA'
1	10256200		3				
2	30024605		1				
3	00025518		6				
4	00022501		4				
5	30024278		3				
6	30024603		1				
7	11020141		1				
8	30024604		1				
9	10114201		1				
10	30024534		1				
11	11112121		1				
12	30017911		4				
13	11114101		4				
14	11140000		8				
15	10114141		4				
16	80009934	KIT	1				



TIPO IMP IDR ABM4200

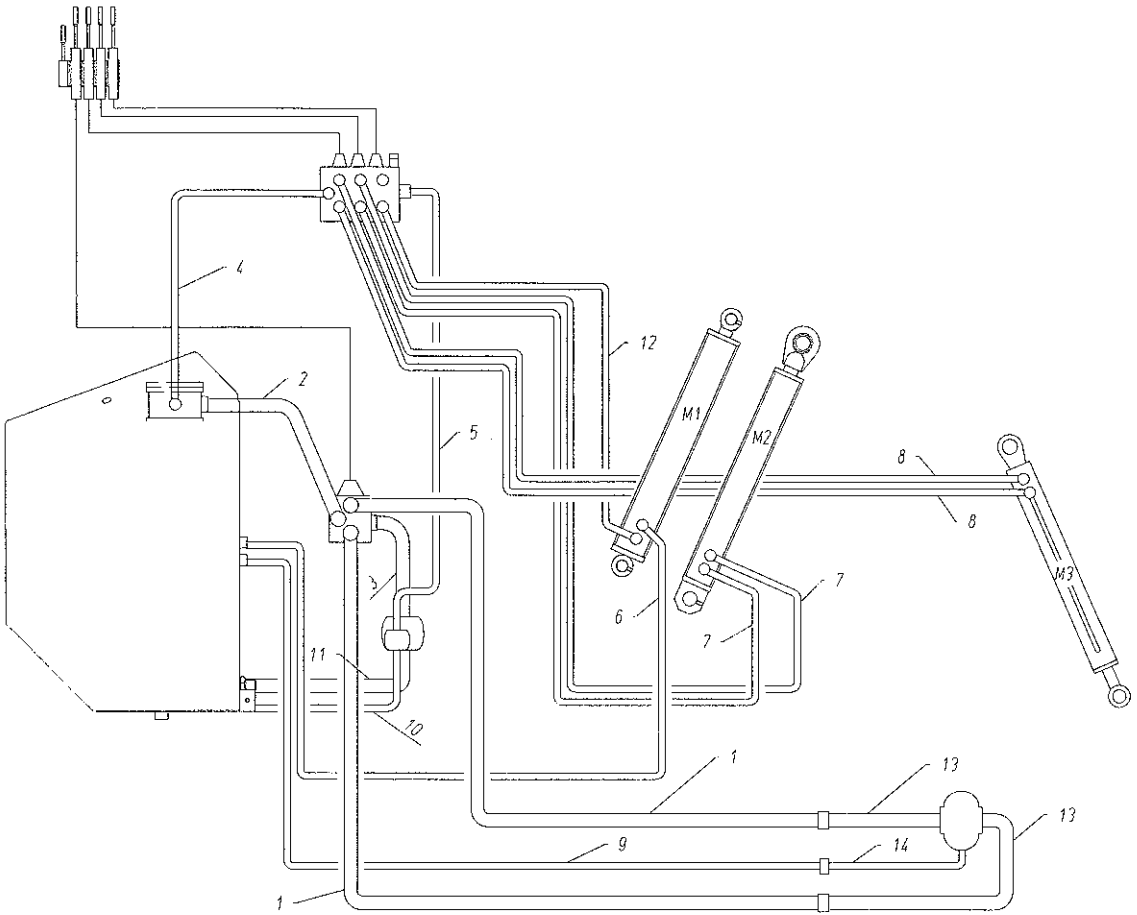
TAV 0497 REV.000 AGG. 12/07/2006

TIPO: IMP IDR AULICO ABM4200	TAV: 0497	REV:000	AGG. 12/07/2006	PAG. 1/1
POS. CODICE NOTE	Q.T.A.	NOTE	NOTE	Q.T.A.
1 00015536 FILTRO IKRON 25 MICRON	1	37 00016029 CAVO CG 3000		4
2 00015524 TAPPO FILTRO IKRON	1	38 00017017 MOL.T.GR.2 RI/3.8 ALB.M.		1
3 00015525 GUARN. OR TAPPO FILTRO IKRON	1	39 10215122 DE BASSM 12X1,5 U5589		1
4 00015526 MOLLA PER TAPPO FILTRO IKRON	1	40 15120000 ROS.SICCR.B12 DIN128 U5589		1
5 00015527 VAL.VOLA.BY-PASS FILTRO IKRON	1	41 15510940 LING.A.DIS. 3 X 6,5		1
6 00015528 GUARN. OR D.28 CARTELLA IKRON	2	42 00016578 POMPA PLP20.25 TWIN		1
7 00015538 CARTUCCIA 25 MFC. CONTEN. CARTELLA	1	43 11108071 VTE 8X.25 U5739 8.8		4
8 00015539 GUARN. OR D.80 CONF. DONN00010	1	44 00014011 NIPLES 3/8- 1/4		6
9 00015532 DONN00010	1	45 00014016 NIPLES 3/4- 1/2		1
10 00015508 SFIATO SF 100/1	1	46 00016501 RACCORDO RG40 3/4"G		2
11 00015508 CORPO FILTRO IKRON	1	47 00018503 SEMIGIUNTO Z=14 GR.2		1
12 13080000 ROS.DENT.D. 8 D6798	10	48 00016570 RACCORDO RG26 1/2"G		2
13 11080000 ROS.PIANA D. 8 U6592	12	49 00014013 NIPLES 1/2- 3/8		1
14 00013017 RONDEL BONDED 1"1/4	2	50 00024150 LIVELLO OLIO		1
15 00014021 NIPLES 1"1/4- 3/4	1	51 00014020 NIPLES 1" - 3/4		1
16 12412148 12X 60 U5923 8.8	4	52 00013013 RONDEL BONDED 1/2		2
17 00016012 KIT TP100	1	53 00014022 NIPLES 1"1/4-1"		1
18 00013015 RONDEL BONDED 3/4	4	54 00015534 GUARNIZIONE FILTRO IKRON		1
19 00014005 NIPLES 3/4- 3/4	4			
20 1108151 VTE 8X 65 U5739	6			
21 00016000 KIT TP 50	3			
22 00016014 DIST.SD 5/3 CON FILOTT	1			
23 11108071 VTE 8X.25 U5739 8.8	2			
24 00013012 RONDEL BONDED 3/8	10			
25 00022512 TAPPO MASCHIO 3/8	1			
26 11108141 VTE 8X 60 U5739	4			
27 10114081 DA BASS M. 8	4			
28 00016004 ASTA LEVA AL 07/M10X200 NERA	3			
29 00016003 ASTA LEVA AL 03/M10X200 ROSSA	1			
30 00016032 COM.ITCC3/4/M6/M1/T1/UL	1			



TIPO IMP. IDR ABM4500 TAV 0499 REV 000 AGG 12/07/2006

TIPO: IMP. IDR AULICO ABM4500	TAV: 0499	REV: 000	AGG: 12/07/2006	PAG: 1/1
POS. 1	00015536	FILTRO IKRON 25 MICRON	Q.T.A. 1	
2	00015524	TAPPO FILTRO IKRON GUARN. OR. TAPPO FILTRO IKRON	1	
3	00015525	MOLLA PER TAPPO	1	
4	00015526	VALVOLA BY-PASS FILTRO IKRON	1	
5	00015527	FILTRO IKRON	1	
6	00015528	CARTUCCIA IKRON	2	
7	00015538	CARTUCCIA 25 MIC. CONTENI. CARTUCCIA GUARN. OR. D. 80 CONT.	1	
8	00015539	SEIATO SF. 100/L	1	
9	00015532	CORPO FILTRO IKRON ROS DENT. D. 8 D6798	1	
10	00015537	ROSD. PLANNA D. 8 U592	20	
11	00015508	ROSD. PLANNA D. 8 U592	2	
12	00015508	ROSD. PLANNA D. 8 U592	2	
13	00015508	ROSD. PLANNA D. 8 U592	2	
14	00015508	ROSD. PLANNA D. 8 U592	2	
15	00015508	ROSD. PLANNA D. 8 U592	2	
16	00015508	ROSD. PLANNA D. 8 U592	2	
17	00015508	ROSD. PLANNA D. 8 U592	2	
18	00015508	ROSD. PLANNA D. 8 U592	2	
19	00015508	ROSD. PLANNA D. 8 U592	2	
20	00015508	ROSD. PLANNA D. 8 U592	2	
21	00015508	ROSD. PLANNA D. 8 U592	2	
22	00015508	ROSD. PLANNA D. 8 U592	2	
23	00015508	ROSD. PLANNA D. 8 U592	2	
24	00015508	ROSD. PLANNA D. 8 U592	2	
25	00015508	ROSD. PLANNA D. 8 U592	2	
26	00015508	ROSD. PLANNA D. 8 U592	2	
27	00015508	ROSD. PLANNA D. 8 U592	2	
28	00015508	ROSD. PLANNA D. 8 U592	2	
29	00015508	ROSD. PLANNA D. 8 U592	2	
30	00015508	ROSD. PLANNA D. 8 U592	2	
31	00015508	ROSD. PLANNA D. 8 U592	2	
32	00015508	ROSD. PLANNA D. 8 U592	2	
33	00015508	ROSD. PLANNA D. 8 U592	2	
34	00015508	ROSD. PLANNA D. 8 U592	2	
35	00015508	ROSD. PLANNA D. 8 U592	2	
36	00015508	ROSD. PLANNA D. 8 U592	2	
37	00015508	ROSD. PLANNA D. 8 U592	2	
38	00015508	ROSD. PLANNA D. 8 U592	2	
39	00015508	ROSD. PLANNA D. 8 U592	2	
40	00015508	ROSD. PLANNA D. 8 U592	2	
41	00015508	ROSD. PLANNA D. 8 U592	2	
42	00015508	ROSD. PLANNA D. 8 U592	2	
43	00015508	ROSD. PLANNA D. 8 U592	2	
44	00015508	ROSD. PLANNA D. 8 U592	2	
45	00015508	ROSD. PLANNA D. 8 U592	2	
46	00015508	ROSD. PLANNA D. 8 U592	2	
47	00015508	ROSD. PLANNA D. 8 U592	2	
48	00015508	ROSD. PLANNA D. 8 U592	2	
49	00015508	ROSD. PLANNA D. 8 U592	2	
50	00015508	ROSD. PLANNA D. 8 U592	2	
51	00015508	ROSD. PLANNA D. 8 U592	2	
52	00015508	ROSD. PLANNA D. 8 U592	2	
53	00015508	ROSD. PLANNA D. 8 U592	2	
54	00015508	ROSD. PLANNA D. 8 U592	2	
55	00015508	ROSD. PLANNA D. 8 U592	2	
56	00015508	ROSD. PLANNA D. 8 U592	2	
57	00015508	ROSD. PLANNA D. 8 U592	2	
58	00015508	ROSD. PLANNA D. 8 U592	2	



TIPO. TUBI ABM4200

TAV. 0498 REV. 000 AGG. 12/07/2006

TIPO: TUBI ABM4200

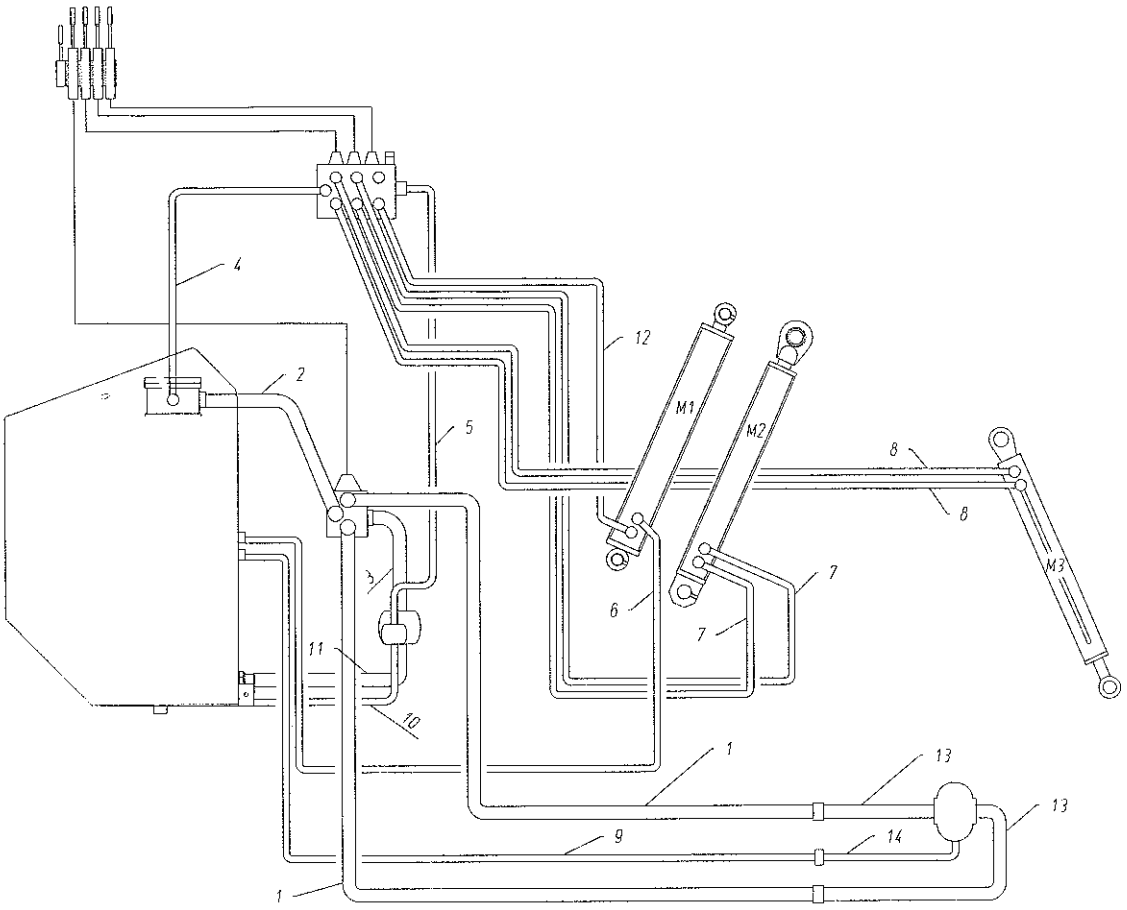
TAV. 0498

REV. 000

AGG. 12/07/2006

PAG. 1/1

POS.	CODICE	NOTE	Q.TA'	POS.	CODICE	NOTE	Q.TA'
1	00030116	TUBO 3/4x230BAR F+3/4	2				
2	00028715	TUBO 3/4RI C90-C453/4	1				
3	00030117	TUBO 3/4x230BAR C90+R3/4 L450	1				
4	00015416	TUBO 3/8RI F90+F3/8	1				
5	00028705	TUBO 3/8x210BAR C90+R3/8	1				
6	00030118	TUBO 1/4x210BAR O3/8+FI/4 L1200	1				
7	00030119	TUBO 1/4x210BAR O3/8+FI/4 L2270	2				
8	00030120	TUBO 1/4x210BAR O3/8+FI/4 L4050	2				
9	00030124	TUBO 1/4x210BAR O3/8+FI/4 L4350	1				
10	00030121	TUBO ASP D.19 F+R3/4	1				
11	00030122	TUBO ASP D.25 FI"1/4+FI"	1				
12	00030123	TUBO 1/4x210BAR O3/8+FI/4 L1150	1				
13	00028310	TUBO 3/4x230BAR M+R3/4 L1300	2				
14	00028136	TUBO 1/4RI O+M1/4	1				



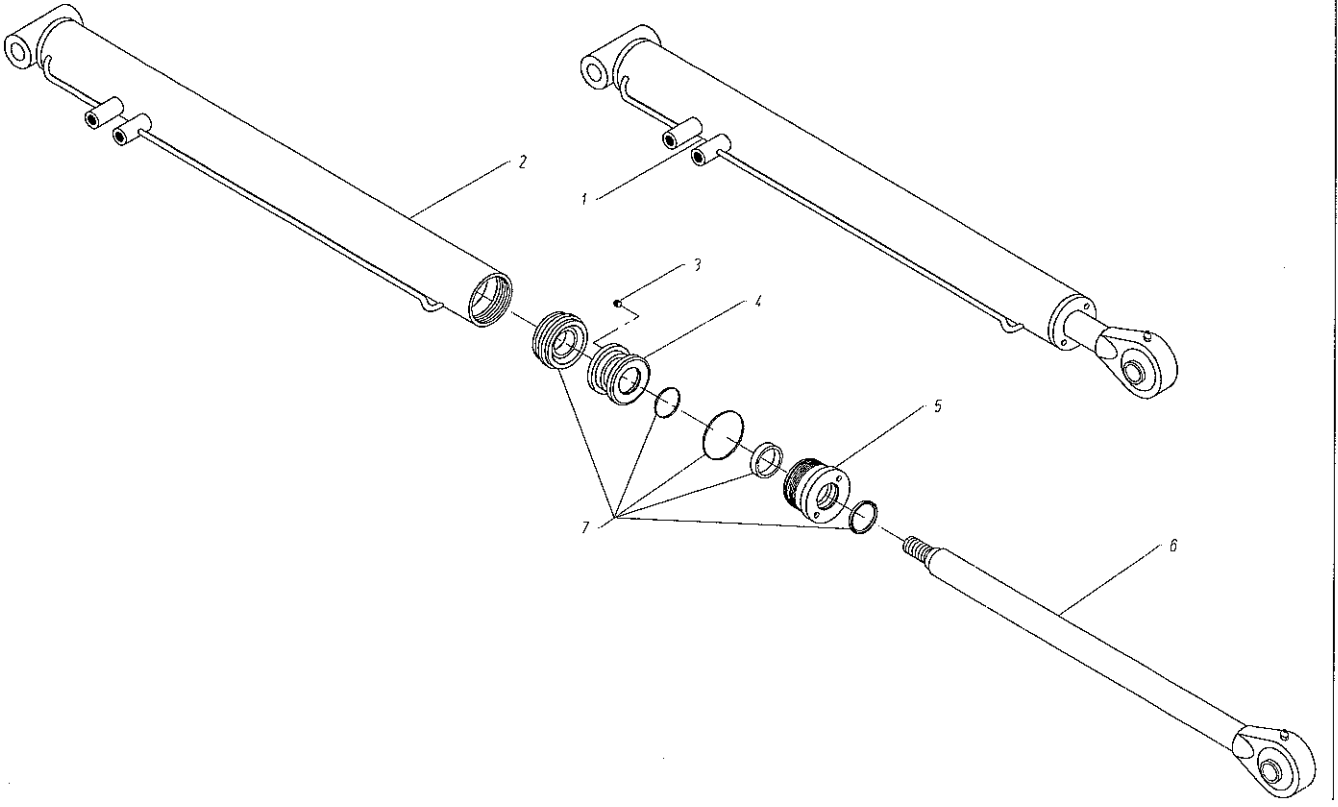
TIPO. TUBI ABM4500

TAV. 0500 REV. 000 AGG. 12/07/2006



TIPO: TUBI ABM 4500 | TAV. 0500 | REV. 000 | AGG. 12/07/2006 | PAG. 1/1

POS.	CODICE	NOTE	Q.TA.	POS.	CODICE	NOTE	Q.TA.
1	00030125	TUBO 3/4x230BAR F+F3/4 L4350	2				
2	00028715	TUBO 3/4R1 C90+C453/4	1				
3	00030117	TUBO 3/4x230BAR C90+F3/4 L450	1				
4	00015416	TUBO 3/8R1 F90+F3/8	1				
5	00028705	TUBO 3/8x210BAR C90+F3/8	1				
6	00030118	TUBO 1/4x210BAR O3/8+F1/4 L1200	1				
7	00030126	TUBO 1/4x210BAR O3/8+F1/4 L2570	2				
8	00030127	TUBO 1/4x210BAR O3/8+F1/4 L4500	2				
9	00028423	TUBO 1/4R1 O3/8+F1/4 L4950	1				
10	00030121	TUBO ASP.D.19 F+F3/4	1				
11	00030122	TUBO ASP.D.25 F1/4+F1"	1				
12	00030123	TUBO 1/4x210BAR O3/8+F1/4 L1150	1				
13	00028310	TUBO 3/4x230BAR M+F3/4 L1300	2				
14	00028136	TUBO 1/4R1 O+M1/4	1				



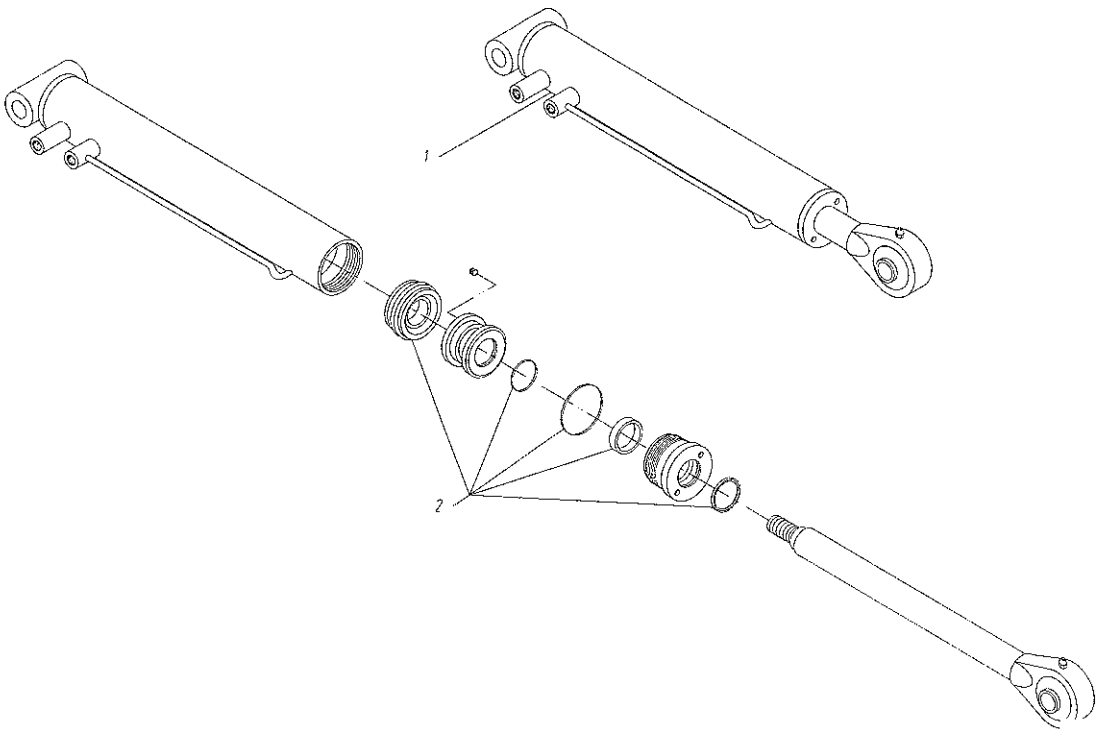
TIPO. MARTINETTO

TAV. 0028 REV. 000 AGG. 28/04/1998

TIPO: MARTINETTO | TAV. 0028 | REV. 000 | AGG. 28/04/98 | PAG. 1/1

POS.	CODICE	NOTE	Q.TA'	POS.	CODICE	NOTE	Q.TA'
1	30003850		1				
2	00025062		1				
3	00025065		1				
4	00025063		1				
5	00025061		1				
6	00025060		1				
7	00025064		1				

TIPO: MARTINETTO TAV. 0029 REV. 001 AGG. 13/03/2006 PAG. 1/1



TIPO. MARTINETTO

TAV. 0029 REV. 001 AGG. 13/03/2006

POS.	CODICE	NOTE	Q.TA'
1	30003840		1
2	00025046	KIT GUARNIZIONI	1

POS.	CODICE	NOTE	Q.TA'